



CANADIAN WILDLIFE FEDERATION
FÉDÉRATION CANADIENNE DE LA FAUNE

HOW TO BUILD A BAT HOUSE

SINGLE-CHAMBER BAT HOUSE (WALL MOUNTED)



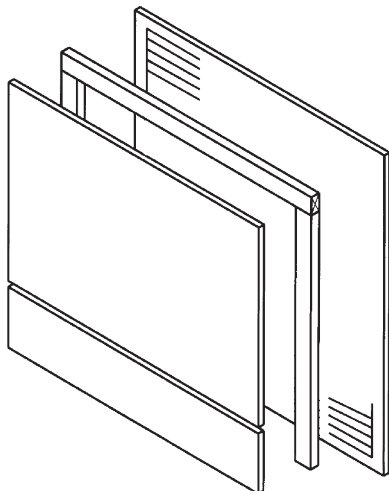
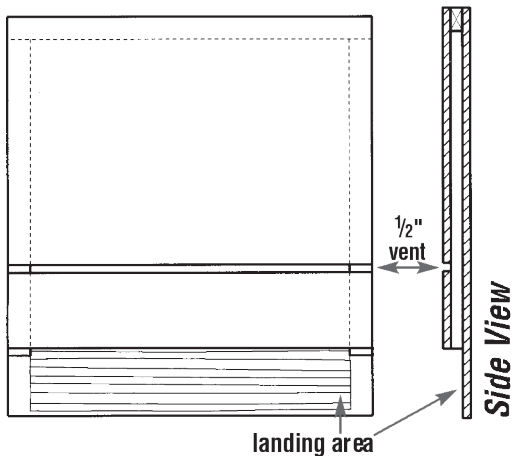
RECOMMENDED TOOLS

- Table saw or handsaw
- Caulking gun
- Variable-speed reversing drill
- Paintbrushes
- Screwdriver bit for drill
- Hammer (optional)
- Tape measure or yardstick
- Tin snips (optional)



MATERIALS (MAKES ONE HOUSE)

- 1/4 sheet (2' x 4') 1/2" AC, BC or T1-11 (outdoor grade) plywood
- One piece 1" x 2" (3/4" x 1 1/2" finished) x 8' pine (furring strip)
- 20 to 30 exterior-grade screws, 1"
- One pint dark, water-based stain, exterior grade
- One pint water-based primer, exterior grade
- One quart flat, water-based paint or stain, exterior grade
- One tube paintable latex caulk
- 1" x 4" x 28" board for roof (optional, but highly recommended)
- Black asphalt shingles or galvanized metal (optional)
- 6 to 10 roofing nails, 7/8" (if using shingles or metal roofing)



CONSTRUCTION

1. Measure and cut plywood into three pieces: 26 1/2" x 24" 16 1/2" x 24" 5" x 24"
2. Roughen inside of backboard and landing area by cutting horizontal grooves with sharp object or saw. Space grooves 1/4" to 1/2" apart, cutting 1/32" to 1/16" deep.
3. Apply two coats of dark, water-based stain to interior surfaces. Do not use paint, as it will fill grooves.
4. Cut furring strip into one 24" and two 20 1/2" pieces.
5. Attach furring strips to back, caulking first. Start with 24" piece at top. Roost chamber spacing is 3/4".
6. Attach front to furring strips, top piece first (caulk first). Leave 1/2" vent space between top and bottom front pieces.
7. Caulk all outside joints to further seal roost chamber.
8. Attach a 1" x 4" x 28" board to the top as a roof (optional but highly recommended).
9. Apply three coats of paint or stain to the exterior (use primer for first coat).
10. Cover roof with shingles or galvanized metal (optional).
11. Mount on building (south or east sides usually best).

OPTIONAL MODIFICATIONS TO THE SINGLE-CHAMBER BAT HOUSE



1. Wider bat houses can be built for larger colonies. Be sure to adjust dimensions for back and front pieces and ceiling strip. A $\frac{3}{4}$ " support spacer may be needed in the center of the roosting chamber for bat houses over 24" wide to prevent warping.
2. To make a taller version for additional temperature diversity, use these modifications: From a 2' x 8' piece of plywood, cut three pieces: 51" x 24", 33" x 24" and 12" x 24". Cut two 8' furring strips into one 24" and two 44" pieces. Follow assembly procedure above.
3. Two bat houses can be placed back-to-back, mounted between two poles, to create a three-chamber nursery house. Before assembly, cut a horizontal $\frac{3}{4}$ " slot in the back of each house about 9" from the bottom edge of the back piece to permit movement of bats between houses. Two pieces of wood, 1" x 4" x $4\frac{1}{4}$ ", screwed horizontally to each side, will join the two boxes.

4. Leave a $\frac{3}{4}$ " space between the two houses, and roughen the wood surfaces or cover the back of each with plastic mesh (see item 5 below). Do not cover the rear exit slots with mesh. One 1" x 4" x 34" vertical piece, attached to each side over the horizontal pieces, blocks light but allows bats and air to enter. A galvanized metal roof, covering both houses, protects the center roosting area from rain. Eaves should be about 3" in southern areas and about 1 $\frac{1}{2}$ " in the north.
4. Ventilation may not be necessary in cold climates. In this case, the front should be a single piece 23" long. Smaller bat houses like this one will be less successful in cool climates. However, those mounted on buildings maintain thermal stability better and are more likely to attract bats.
5. Durable plastic mesh can be substituted to provide footholds for bats. Attach one 20" x 24 $\frac{1}{2}$ " piece to backboard after staining interior, but prior to assembly.



These plans are provided free through the Bat Conservation International website at www.batcon.org, where you can also find a wealth of other great information on bats and bat houses.

CWF would like to thank Bat Conservation International for their help in the creation of this pamphlet.

© Copyright 2014